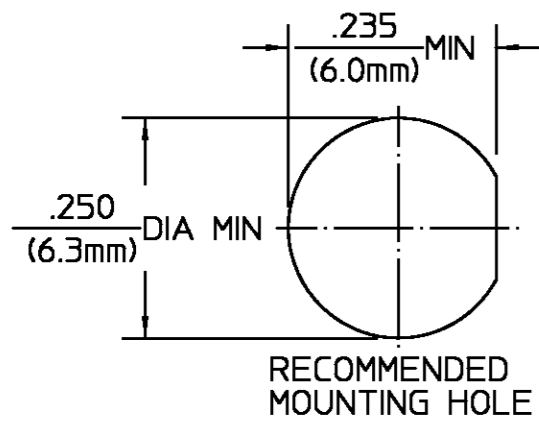
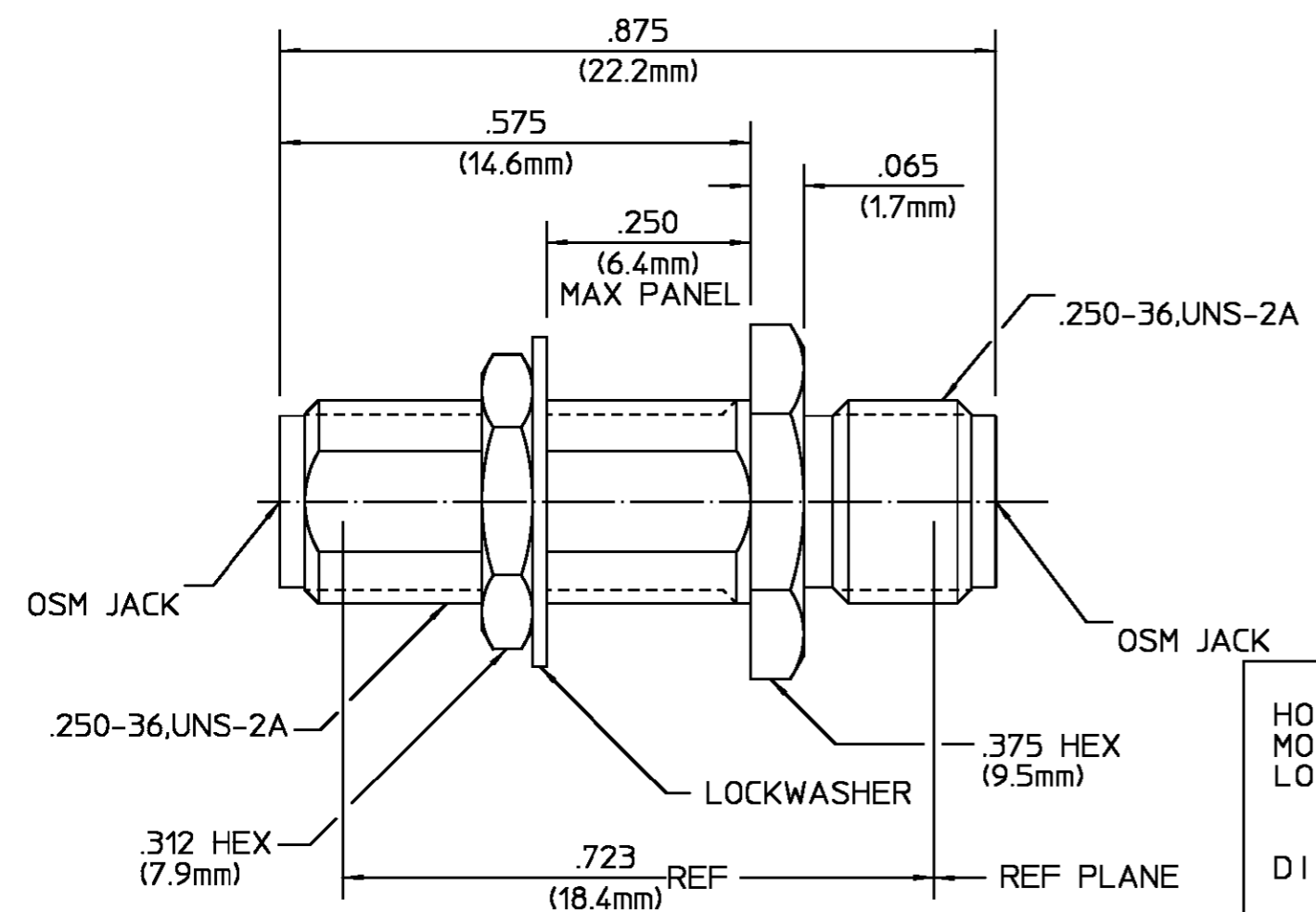


REVISIONS			
REV	DESCRIPTION	DATE	APPROVED
01 <sub>2</sub>	REDRAWN AND UPDATED ON CAD		

2/22/89 *[Signature]*



NOTES:  
1. CAPTURED CENTER CONTACT

HOUSING MOUNTING NUT LOCKWASHER	STAINLESS STEEL PER ASTM-A484 AND ASTM-A582, TYPE 303	GOLD PLATE PER MIL-G-45204 OVER NICKLE PLATE PER QQ-N-290
DIELECTRIC	TFE FLUOROCARBON PER MIL-P-19468 AND FED SPEC L-P-403	N/A
CENTER CONTACT	BERYLLIUM COPPER PER QQ-C-530, ALLOY 173	GOLD PLATE PER MIL-G-45204 OVER COPPER PLATE PER MIL-C-14550

COMPONENT	MATERIAL	FINISH
-----------	----------	--------

UNLESS OTHERWISE SPECIFIED DIMENSIONS ARE IN INCHES TOLERANCE ON FRAC. DEC. ANGLES ± 1/64 ±.005 ± °	DRAWN BY E.F. HOYLE CHECKED BY L. ROSS APPD BY	DATE 1/25/89 2-10-89	AMP Incorporated 140 Fourth Avenue Waltham, MA 02451-7599
--	--	----------------------------	---

These drawings and specifications are the property of Omni Spectra Incorporated and shall not be reproduced or copied or used in whole or in part as the basis for the manufacture or sale of item(s) without written permission.	USE ASSY PROCEDURE 2/22/89	TITLE BULKHEAD FEEDTHROUGH JACK TO JACK ADAPTER	
	NO. A.P. N/A	SIZE B	CODE IDENT NO. 26805
		SCALE 5:1	2084-0000-00